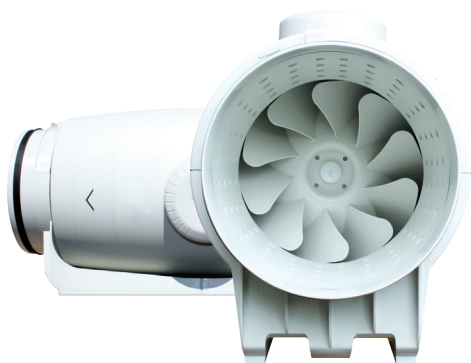


# TECHNICAL DATA SHEET

## Silent MV 250/100 | Ultra Quiet In-line Duct Fan



### KEY FEATURES

- ✓ Sound absorbent insulation
- ✓ 360° rotating connection box
- ✓ Sealed for life ball bearings
- ✓ Fitted with a 2/3 speed motors
- ✓ 5 year warranty
- ✓ IP44 rated
- ✓ Incredibly silent running
- ✓ High performance
- ✓ Significant energy savings
- ✓ Complies with building regulations
- ✓ Flexible location
- ✓ Easy maintenance

### PRODUCT

Ultra quiet and low profile helicocentrifugal in-line fans suitable for a wide range of domestic and commercial applications. Fitted with sound absorbent insulation and manufactured with a with an adjustable two speed 230V 50Hz motor.

Easy to install and maintain, the SILENT MV fans guarantee exceptional performance with significant noise reduction.

### APPLICATION SUITABILITY

Presenting the world's quietest in-line fan range in their class, the SILENT MV range creates a quantum leap forward in technology to improve the acoustic performance of up to 12 dB(A) compared with similar products on the market.

The SILENT MV range is the result of an intense R&D, technological and economic investment to ensure that you can be guaranteed of a product range that provides exceptional performance with significant noise reduction. Following extensive aerodynamic testing, we have been able to not only reduce the amount of noise produced, but also ensure that the noise level that is actually emitted is at a far lower frequency, providing a quiet and ambient environment.

### INSTALLATION

Full installation guide is enclosed with all products; or sent separately in advance - if required.

### MOTOR

Manufactured with a patented silent axial motor.

### FAN

The impeller is mixed flow type.

### SERVICING / MAINTENANCE

The central body of the SILENT MV can be easily dismantled from the connections to enable rapid maintenance, without the need to interfere with the ducting.

### WARRANTY

The SILENT MV is covered by a 5 year warranty.

### TECHNICAL SPECIFICATIONS

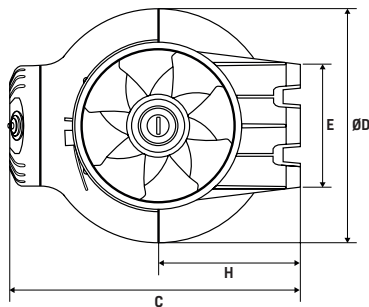
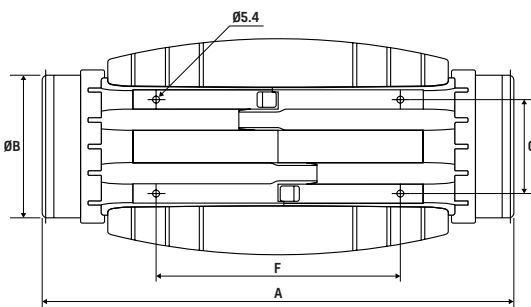
MODEL	SETTING	SILMV250/100
Speed (RPM)	Low	1680
	High	2210
Watts (W)	Low	21
	High	27
Amps (A)	Low	0.10
	High	0.12
Airflow l/s (m³/h)	Low	56 (200)
	High	69 (250)
dB(A) @ 3m	Low	20
	High	25
Max. Working Temp (°C)	Low	40
	High	
Ø Duct (mm)	Low	100
	High	

# TECHNICAL DATA SHEET

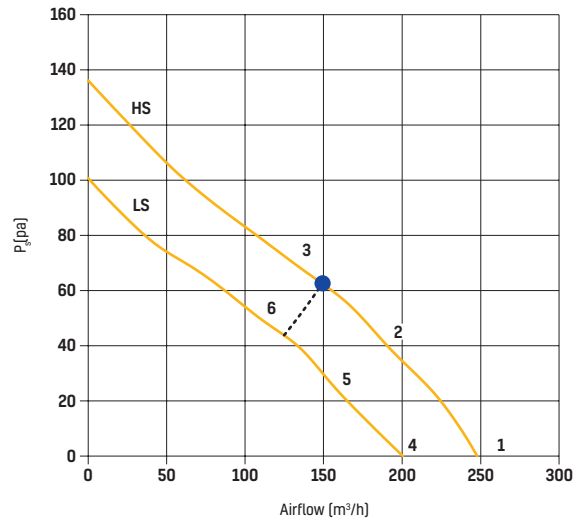
## Silent MV 250/100 | Ultra Quiet In-line Duct Fan

### DIMENSIONS (MM)

MODEL	A	ØB	C	ØD	E	F	G	H
SILMV250/100	575	97	252	204	100	250	83	121



### PERFORMANCE CURVE



### SOUND POWER

Sound power level spectrum in dB(A)										
Working Point		63	125	250	500	1000	2000	4000	8000	LWA
1	Inlet	23	30	46	53	52	44	38	30	57
	Outlet	26	32	45	54	47	41	36	29	55
	Break-Out	22	27	41	42	36	31	25	18	46
2	Inlet	24	32	46	52	52	45	38	30	56
	Outlet	24	33	44	52	46	41	37	29	54
	Break-Out	23	29	41	42	36	31	25	18	45
3	Inlet	25	33	42	51	55	47	41	34	57
	Outlet	25	35	40	51	49	42	39	32	54
	Break-Out	23	30	37	40	39	34	27	22	44
4	Inlet	23	33	42	47	48	38	31	25	51
	Outlet	23	33	40	47	42	34	29	24	49
	Break-Out	20	30	36	35	32	24	18	15	40
5	Inlet	25	33	43	46	51	40	33	26	53
	Outlet	23	34	42	47	44	36	32	26	50
	Break-Out	22	31	37	35	34	26	19	16	41
6	Inlet	24	31	39	48	51	43	36	28	54
	Outlet	25	33	38	49	45	38	34	27	51
	Break-Out	22	28	32	37	35	29	22	19	41