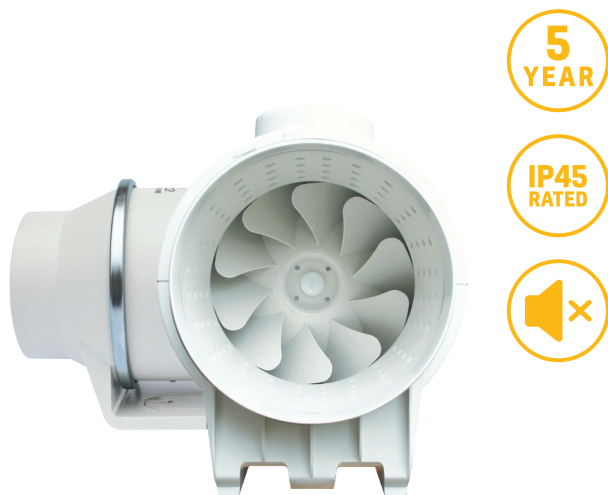


# TECHNICAL DATA SHEET

## Silent MV 160/100 | Ultra Quiet In-line Duct Fan



**KEY FEATURES**

- ✓ Sound absorbent insulation
- ✓ 360° rotating connection box
- ✓ Sealed for life ball bearings
- ✓ Fitted with a 2/3 speed motors
- ✓ 5 year warranty
- ✓ IP44 rated
- ✓ Incredibly silent running
- ✓ High performance
- ✓ Significant energy savings
- ✓ Complies with building regulations
- ✓ Flexible location
- ✓ Easy maintenance

### PRODUCT

Ultra quiet and low profile helicocentrifugal in-line fans suitable for a wide range of domestic and commercial applications. Fitted with sound absorbent insulation and manufactured with a patented silent axial motor.

Easy to install and maintain, the SILENT MV fans guarantee exceptional performance with significant noise reduction.

### APPLICATION SUITABILITY

Presenting the world's quietest in-line fan range in their class, the SILENT MV range creates a quantum leap forward in technology to improve the acoustic performance of up to 12 dB(A) compared with similar products on the market.

The SILENT MV range is the result of an intense R&D, technological and economic investment to ensure that you can be guaranteed of a product range that provides exceptional performance with significant noise reduction. Following extensive aerodynamic testing, we have been able to not only reduce the amount of noise produced, but also ensure that the noise level that is actually emitted is at a far lower frequency, providing a quiet and ambient environment.

### INSTALLATION

Full installation guide is enclosed with all products; or sent separately in advance - if required.

### MOTOR

Manufactured with a patented silent axial motor.

### FAN

The impeller is mixed flow type.

### SERVICING / MAINTENANCE

The central body of the SILENT MV can be easily dismantled from the connections to enable rapid maintenance, without the need to interfere with the ducting.

### WARRANTY

The SILENT MV is covered by a 5 year warranty.

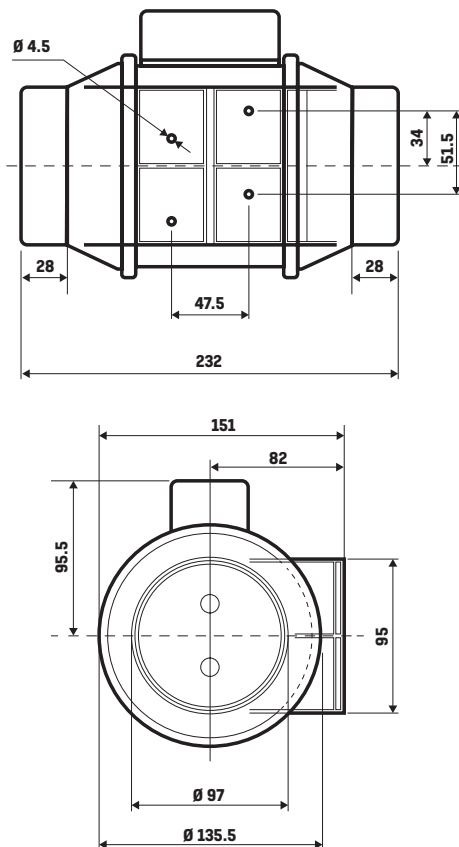
### TECHNICAL SPECIFICATIONS

MODEL	SETTING	SILMV160/100
Speed (RPM)	Low	2200
	High	2400
Watts (W)	Low	18
	High	29
Amps (A)	Low	0.11
	High	0.17
Airflow l/s (m³/h)	Low	42 (150)
	High	50 (180)
dB(A) @ 3m	Low	22
	High	24
Max. Working Temp (°C)	Low	40
	High	
Ø Duct (mm)	Low	100
	High	

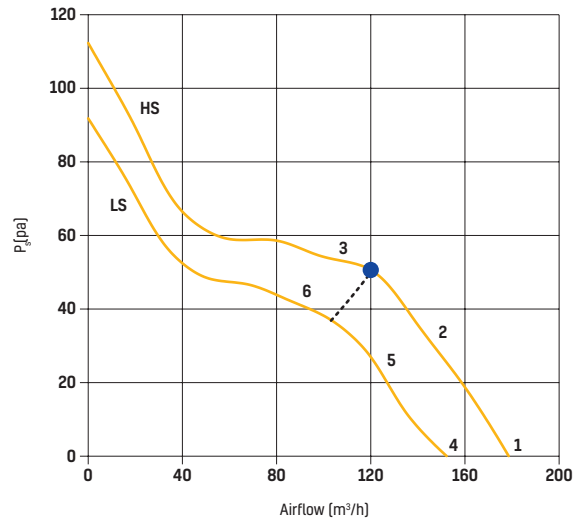
# TECHNICAL DATA SHEET

## Silent MV 160/100 | Ultra Quiet In-line Duct Fan

### DIMENSIONS (MM)



### PERFORMANCE CURVE



### SOUND POWER

		Sound power level spectrum in dB(A)								
Working Point		63	125	250	500	1000	2000	4000	8000	LWA
1	Inlet	22	34	41	47	53	49	40	31	56
	Outlet	22	43	38	50	51	47	41	32	5
	Break-Out	21	27	41	35	36	40	33	22	45
2	Inlet	21	36	39	47	52	48	39	30	55
	Outlet	22	42	37	50	50	46	41	31	54
	Break-Out	20	29	39	35	35	39	32	21	44
3	Inlet	24	37	41	48	52	47	39	30	55
	Outlet	27	42	38	50	51	45	40	31	55
	Break-Out	23	30	41	36	35	38	32	21	45
4	Inlet	22	31	37	45	51	46	38	29	53
	Outlet	22	38	34	48	49	45	39	29	53
	Break-Out	19	27	36	33	35	38	31	21	45
5	Inlet	21	33	37	45	51	46	37	28	53
	Outlet	22	38	35	48	48	44	38	29	52
	Break-Out	18	29	36	33	34	38	30	20	42
6	Inlet	23	34	39	45	50	45	37	28	53
	Outlet	26	38	36	48	49	44	38	28	53
	Break-Out	20	30	38	33	34	37	30	20	43