

## Mira LED Floodlight 30W LED Graphite

### Product Datasheet



### Description

Architectural slim die-cast LED floodlight, 10W LED ideal for halogen replacement, 30W LED comparable light output to 35W HQI, Optically textured glass for enhanced light output, Heat sink design provides optimum LED life, Graphite textured paint finish, Pre-wired with 1 metre of rubber insulated cable for ease of installation, 40000 hours average lifetime, Non-dimmable, Supplied c/w integral driver



# Mira LED Floodlight 30W LED Graphite

## Product Datasheet

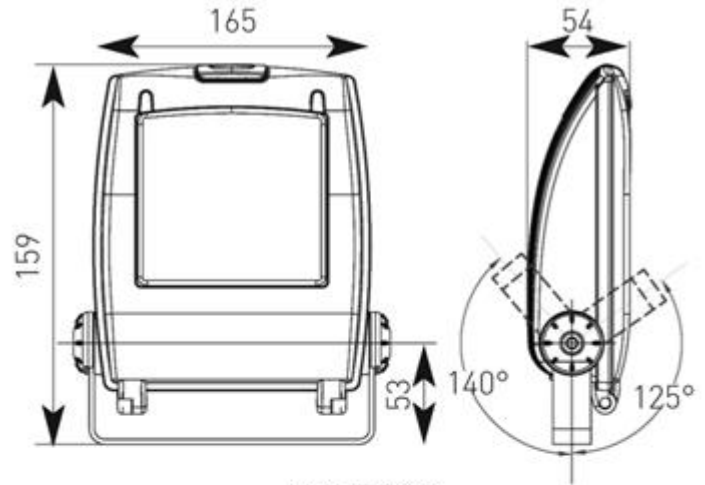


Code	Description	Lamp
AMLED30	30W Cool White	LED

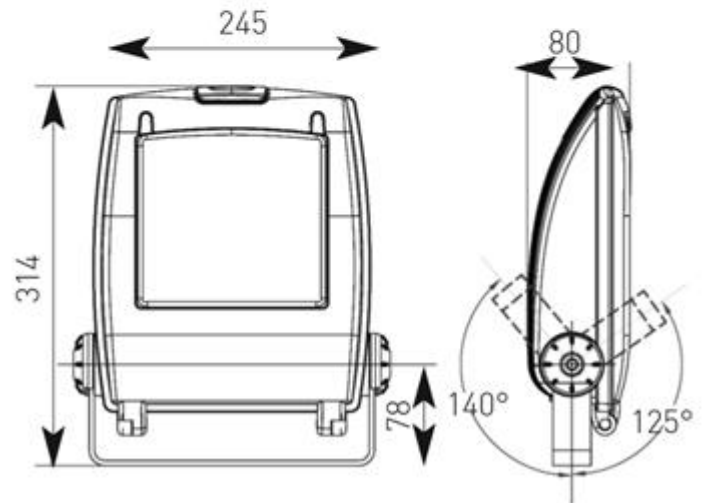


### LED Information

Total (Watts)	10W 30W
Lumens 10W	700lm
Lumens 30W	2100lm
CCT	4750K
Input	240V



AMLED10



AMLED30