

COMMERCIAL

SULTAN IP65 LED CORROSION PROOF

ROBUS®

This compact range of corrosion-proof fittings are available in common lengths of 1.2m, 1.5m and 1.8m, and for site applications, 0.6m & 1.2m with yellow base. With a modern aesthetic they utilise high quality LED's with a rated LED life of 50,000 hours and provide similar mechanical performance to traditional corrosion proofs whilst providing significant energy savings and long service life, without the high labour costs associated with traditional tube changes



Applications:

- Wet areas
- Outside walkways
- Warehouses
- Storage areas
- Industrial units
- Farm buildings (Non-corrosive atmosphere)
- Garages
- Workshops
- Car parks
- Changing rooms

Construction:

Grey coloured polycarbonate body
Opal polycarbonate diffuser
Stainless steel clips
Steel gear tray

Features:

- Full range of lengths, wattages and lumen packages
 - 0.6m & 1.2m yellow base versions with 110-240v driver
 - Slim rounded design
 - Polycarbonate base & frosted diffuser with rubber seal
-
- Grade 304 stainless steel diffuser clips
 - Utilises high quality long life surface mount LED technology for:
 - Outstanding light output of lumens
 - Very low power consumption
 - Long rated LED life
-
- Colour temperature of 5000K with high CRI
 - Uses a dedicated LED plate held in place by spring clips
-
- Rugged solid-state lighting technology with no heat filaments or electrodes to fail
-
- Emergency option
 - End mount sensor option
 - Stainless steel surface mounting brackets and suspension hangers included
 - Gland entry points at both ends and base

Benefits:

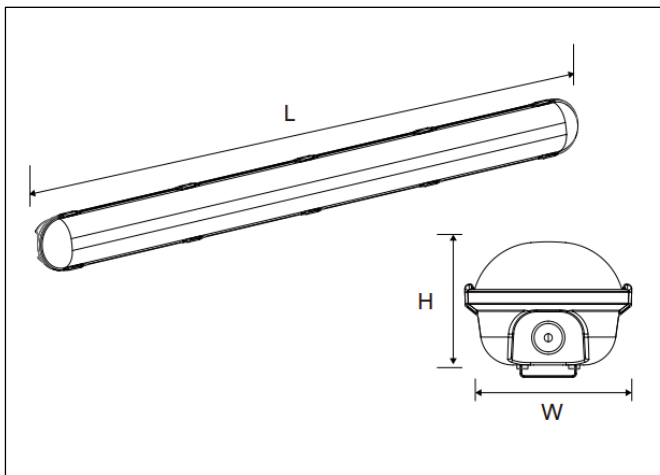
- Provides a solution for all applications
 - Ideal for transformer/site use
 - Attractive aesthetic for less industrial looking requirements
 - Flexible so will not crack when mounted on uneven surfaces
 - Provides ingress protection against dust and water jets
 - Will not corrode so provides long life
 - Provides excellent light uniformity with less glare
-
- Non-rusting closure and mounting system
-
- Compared to T8 fluorescent:
 - Comparable light output so is a one for one replacement
 - Makes energy savings of around 50%
 - Light output and colour is consistent over life
 - No maintenance cost for replacement tubes over life
 - Excellent efficacy providing compliance with current & foreseeable legislation
-
- Ideal light colour for security whilst providing clear task visibility
 - Better solution than LED tubes which provide up to 30% less light and are prone to theft
-
- Less susceptible to failure due to building vibration caused by traffic or hot/cold temperature variations
 - "Instant on" so can be switched by microwave, PIR and/or photocell which is detrimental to traditional light sources
 - Provides even greater energy savings when lighting not required
 - Provides light on power failure to safely evacuate the area
 - Provides additional energy savings when lighting is not required
-
- Provides direct surface or chain suspension option
 - Ideal for apex or sloping ceiling/roof designs
-
- Most conduit electrical infrastructures are catered for

COMMERCIAL

SULTAN IP65 LED CORROSION PROOF

ROBUS®

Product Code:	RSUF242FT-09	RSUF244FT-09	RSUF244FT-24	RSUF484FT-24	RSUF405FT-24	RSUF805FT-24	RSUF486FT-24	RSUF966FT-24
Comparable to:	2x18W T8	1x36W T8	1x36W T8	2x36W T8	1x58W T8	2x58W T8	1x70W T8	2x70W T8
Total Power (W):	25.0	23.1	22.9	45.4	40.2	77.9	47.3	91.3
Total Light Output (lm):	2650	2780	2860	5600	4440	8260	6270	11610
Efficacy (lm / cctW):	106	121	126	124	111	106	133	127
Rated Life (hrs):	50,000	50,000	50,000	50,000	50,000	50,000	50,000	50,000
Warranty (yrs):	3	3	3	3	3	3	3	3
Illuminance at 1m (lux):	910	960	990	1790	1410	2560	2090	3880
Beam Angle (deg):	120	120	120	120	120	120	120	120
CCT (K):	5,000	5,000	5,000	5,000	5,000	5,000	5,000	5,000
CRI (Ra):	80	80	80	80	80	80	80	80
Ingress Protection (IP):	65	65	65	65	65	65	65	65
Impact Rating (IK):	08	08	08	08	08	08	08	08
Operating Temperature (°C):	-25 ≥ +40	-25 ≥ +40	-25 ≥ +40	-25 ≥ +40	-25 ≥ +40	-25 ≥ +40	-25 ≥ +40	-25 ≥ +40
Output Current (mA):	600	600	600	1200	1000	2000	1200	1200
Operating Voltage (Vac):	110	110	220-240	220-240	220-240	220-240	220-240	220-240
Power Factor (PF):	0.9	0.9	0.95	0.97	0.97	0.97	0.97	0.97
Length (mm):	660	1258	1258	1258	1530	1530	1800	1800
Width (mm):	85	85	85	103	85	103	85	103
Height (mm):	77	77	77	77	77	77	77	77
Box Qty:	1	1	1	1	1	1	1	1
Weight (kg):	0.95	1.32	1.32	1.54	1.6	2	1.8	2.15



Accessories:

RVUFxxxFT-xxE

3-hour Emergency option (Min ambient ≥ -10°C)
Add "E" suffix to the end of product code

R360PIR-01

PIR sensor for linear fittings (See separate data sheet for functionality with non-dimmable or dimmable driver options through conversions)

R360RC-01

Remote control/programmer for PIR sensor



Standards & Approvals:

Complies with: EN 60598-1, EN 60598-2-1, EN 62471, EN 62493, EN 55015, EN 61000-3-2, EN 610003-3, EN 61547

Cone Illuminance Diagram:

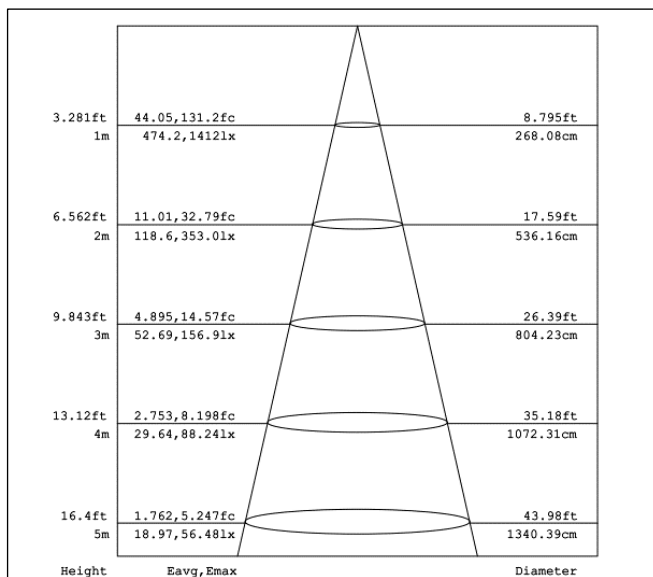
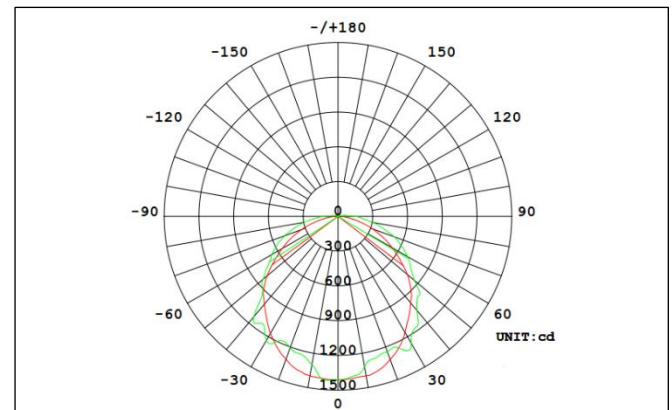


Diagram for RSUF405FT-24 in 5,000K. Other diagrams available on request



Luminous Intensity Distribution Diagram:



PLEASE NOTE: INFORMATION IN THIS DOCUMENT MAY BE SUBJECT TO CHANGE WITHOUT PRIOR NOTICE

IRE: TEL: +353 1 709 9000 WEB: WWW.LEDGROUPROBUS.COM
AUS: TEL: +61 7 3890 5444 WEB: WWW.LEDGROUPROBUS.COM.AU