

Prism LED Fire Rated Downlight

LED Dimmable fire-rated downlight

Intumescent fire barrier fully tested for 30, 60 and 90 minute ceiling types to meet part B of Building Regulations

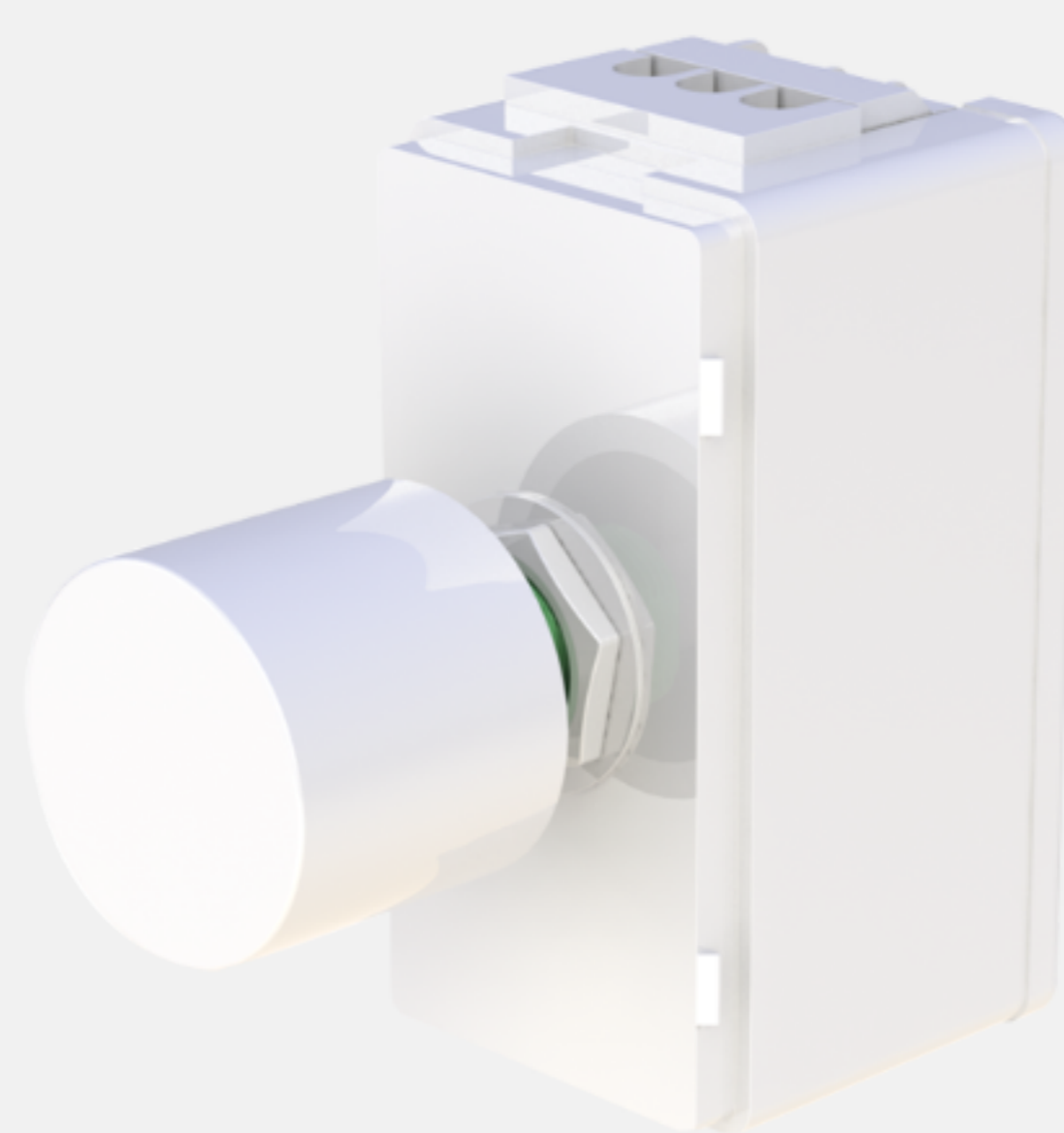
Fully tested to meet Part C (moisture) and Part E (acoustic) of Building Regulations



Dimmable

The list below is a selection of dimmers that have been tested for use with the Ansell Prism Fire Rated LED Downlight

Manufacturer	Model Number	Maximum Dimmable Fittings
Ansell	Orbio Dimmer AORBLED/DIMMER	4 - 20 Prism fittings
Click Scolmore	MD9042	1 - 20 Prism fittings
Hamilton Lifestat	H-GDMTM250	1 - 20 Prism fittings
Hamilton Lifestat	LED-IT B	1 - 10 Prism fittings
Varilight	V-PRO - 400W Max. GLS 1-10 LEDs	1 - 10 Prism fittings
Zano	ZGRIDLED	1 - 20 Prism fittings



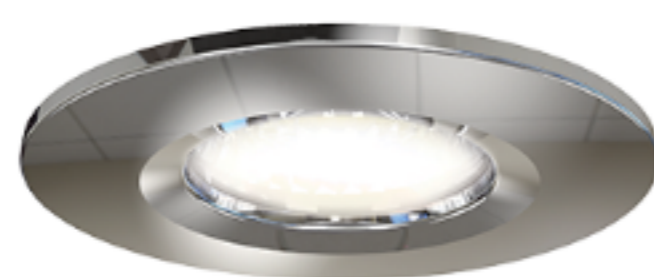
Bezel Options

Aluminium die-cast secure twist-on bezel with matte white paint finish as standard

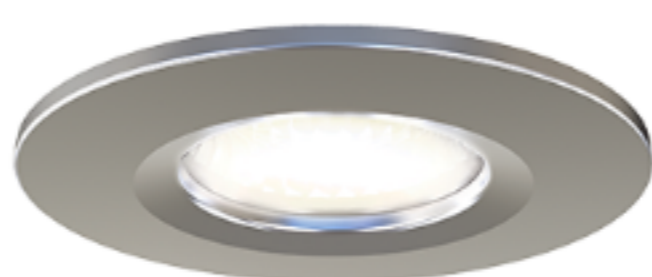
– Chrome and Satin Chrome trim bezel accessories available



White Trim Bezel as Standard



Chrome Trim Bezel Accessory

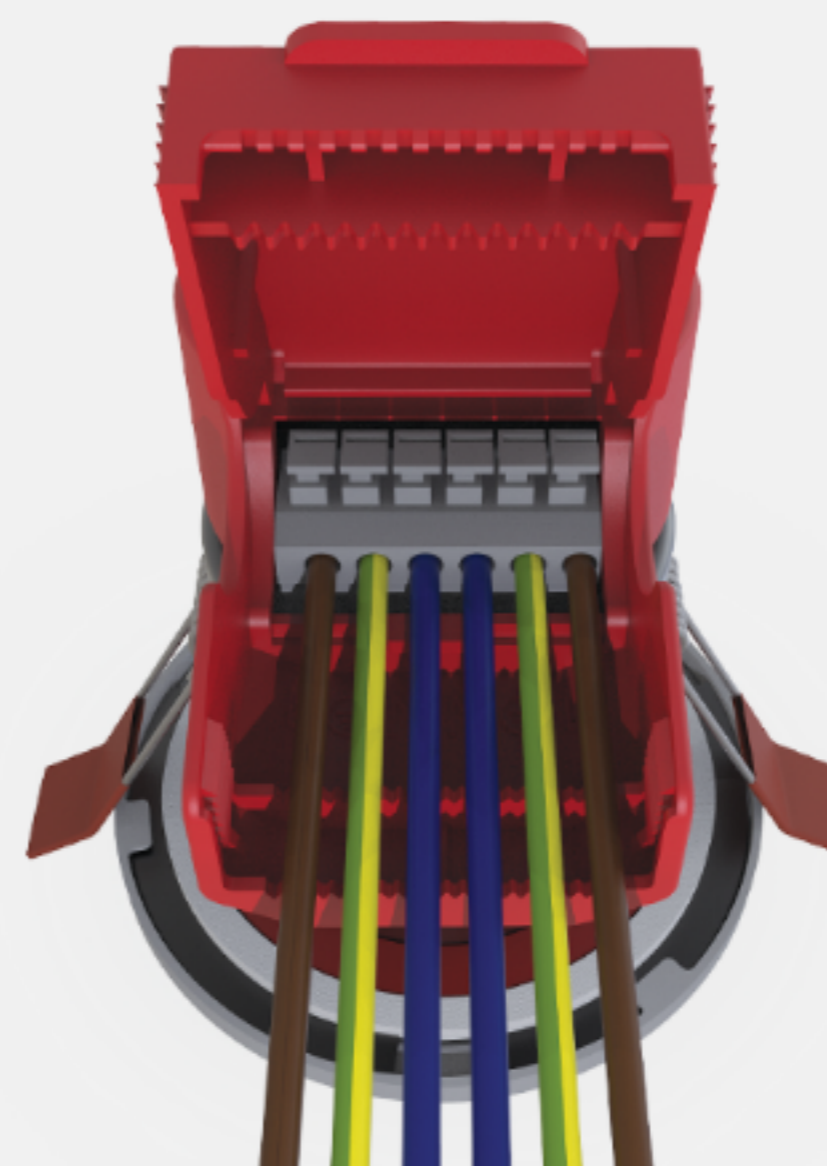


Satin Chrome Trim Bezel Accessory

Tool-Less Installation

Integral driver with push-fit loop-in, loop-out terminals for ease and speed of installation

Tool-Less Installation



60° Beam Angle

Beam Angle

Precision engineered reflector provided a wide 60° beam angle for enhanced light distribution