

AMLED200

Mira LED Floodlight - 200W Cool White - Graphite



Features

Architectural slim die-cast LED floodlight.

200W LED comparable performance to 400W HQL.

Optically textured glass for enhanced light output.

Heat sink design provides optimum LED life.

Graphite textured paint finish.

Pre-wired with 1 metre of rubber insulated cable for ease of installation.

LED lifespan L70 30,000 hours.

Non-dimmable.

General Information

Lamp Type	LED
Colour / Finish	Graphite
IP Rating	IP65
IK Rating	IK07
Class Protection	1
Internal / External	External
Surface / Recessed / Suspended	Surface
Warranty (Years)	5
CE Mark	Yes
Width (mm)	480
Height (mm)	620
Depth (mm)	155

Technical Information

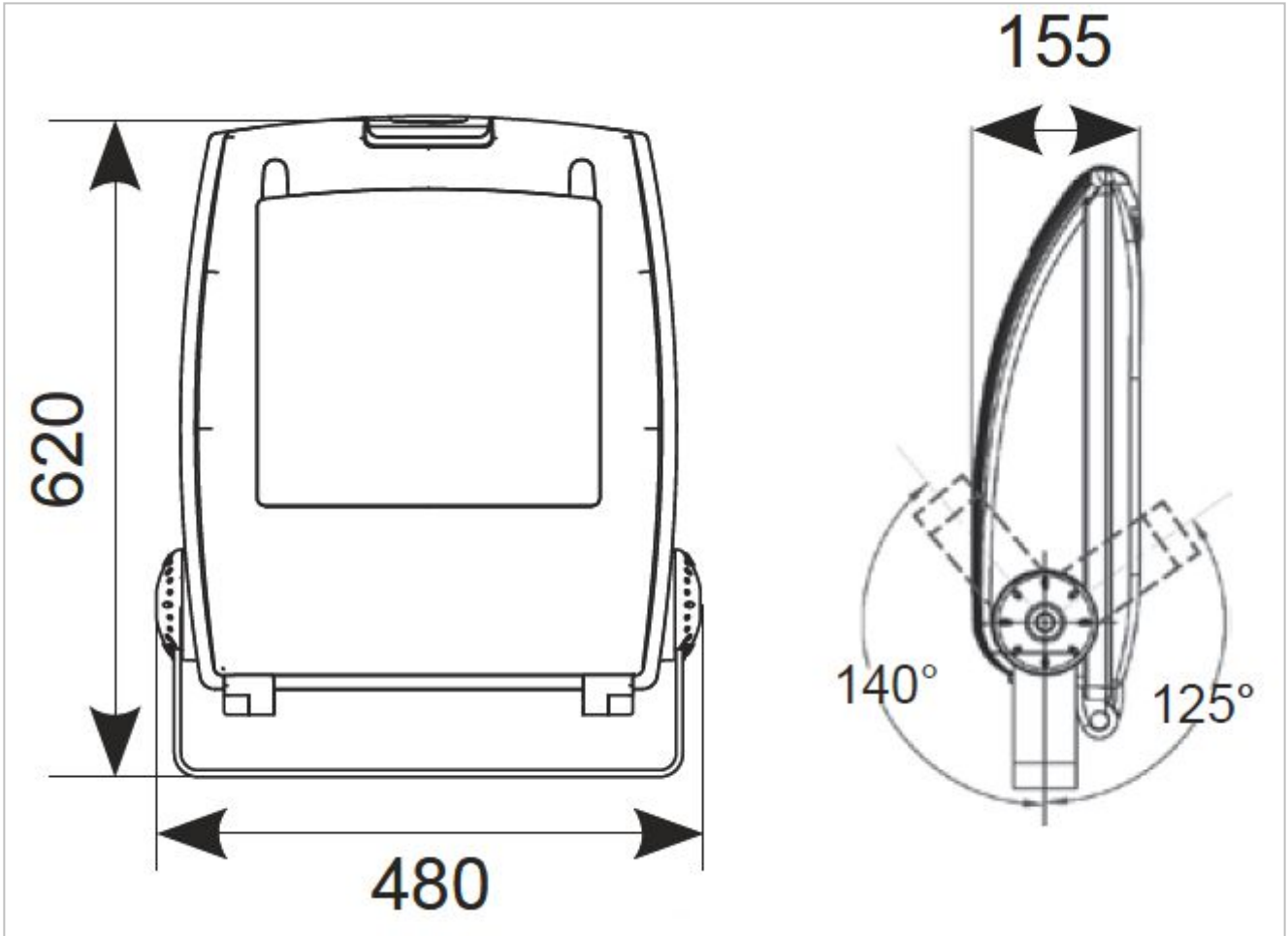
Wattage	200W
Lumens Delivered	19712lm
Lm/W	101lm
CRI	Ra 70
CCT	4750K
Input	230V
Hertz	50Hz
Operating Temp	-20°C to 50°C

Technical Data - ETIM - Downlight/spot/floodlight (EC001744)

Suitable for surface mounting	Yes
Suitable for built-in mounting	No
Suitable for wall mounting	Yes
Suitable for suspended mounting	No
Suitable for ceiling mounting	No
Suitable for traverse mounting	No
Suitable for light-track mounting	No
Adjustability	Swivelling
With movement sensor	No
With light sensor	No
With light source	Yes
Colour housing	Other
Nominal voltage	230-230 V
Control gear included	Yes
No dim function	Yes
Degree of protection (IP)	IP65
Impact strength	IK07
Protection class	I
Max. system power	200 W
Colour of light	White
Colour temperature	4750-4750 K
Colour rendering index CRI	70-79
Rated luminous flux acc. IEC 62722-2-1	19712 lm
Lamp efficacy	101 lm/W
Width	155 mm

Height/depth 620 mm

Length 480 mm



Datasheet generated from <https://onetimepim.com> last updated Thursday, August 6, 2020 9:19:48 AM