



ALUCLED/B

Lucca LED CCT Black - 18W/27W



Features

Die-cast aluminium construction with tamperproof stainless steel allen key screws to retain opal polycarbonate diffuser and frame.

One product with integral switches for multi-wattage and selectable CCT options.

18W exceeds performance of 38W TC-DD.

27W exceeds performance of 2x26W PL-C.

Powered by Tridonic

LED lifespan L70 60,000 hours.

Non-dimmable.

General Information

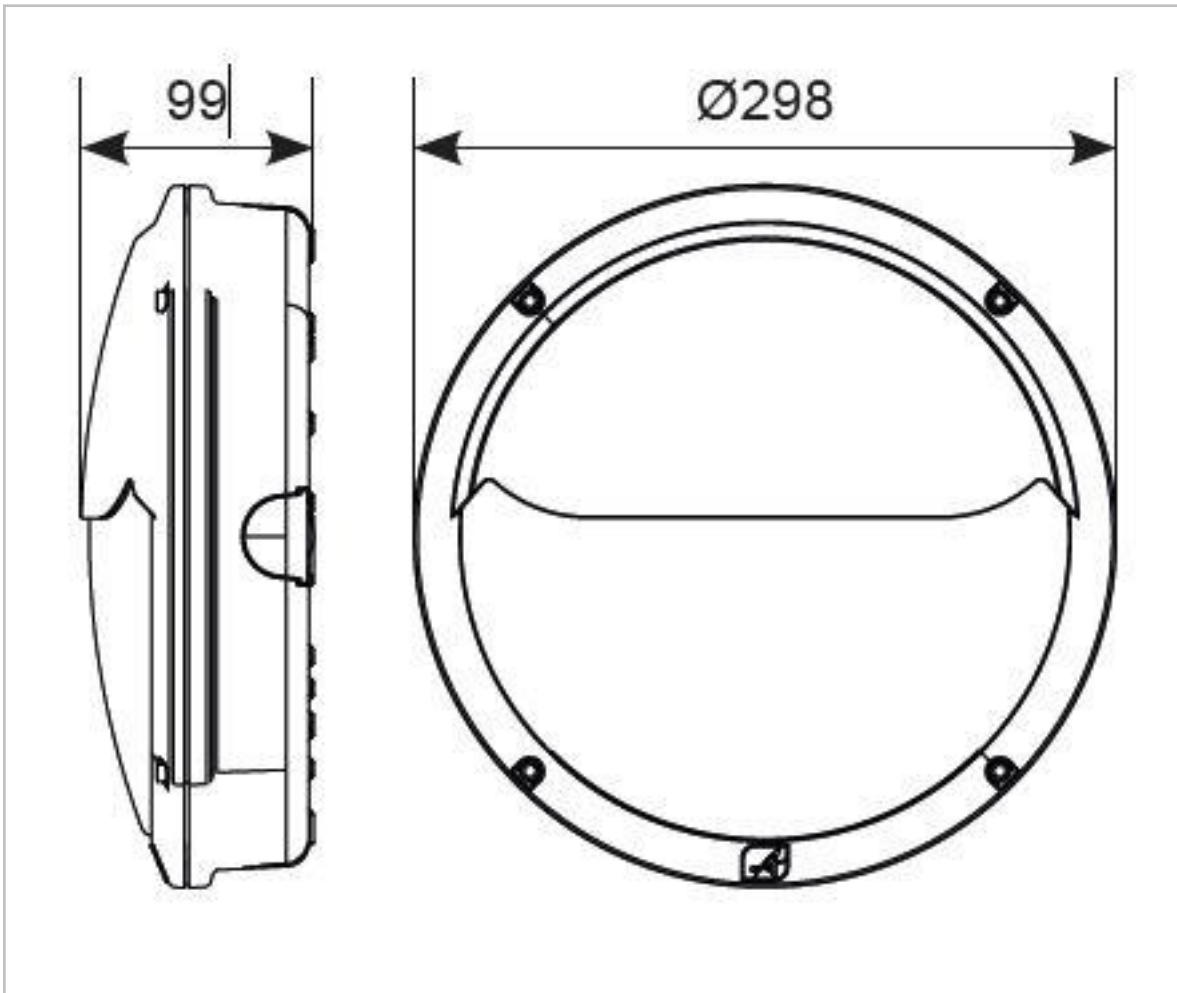
Lamp Type	LED
Colour / Finish	Black
IP Rating	IP65
IK Rating	IK08
Class Protection	1
Internal / External	External
Surface / Recessed / Suspended	Surface
Warranty (Years)	5
CE Mark	Yes
Diameter (mm)	298
Depth (mm)	99

Technical Information

Wattage	18/27W
Lumens Delivered	1149/1622lm(Cool White, 18/27W), 1091/1563lm(Warm White, 18/27W)
Lm/W	64/60lm(Cool White, 18/27W), 61/58lm(Warm White, 18/27W)
CRI	Ra 80
CCT	3000/4000K
Input	220-240V
Hertz	50/60Hz
Operating Temp	-20°C to 25°C

Technical Data - ETIM - Ceiling-/wall luminaire (EC002892)

Suitable for wall mounting	Yes
Suitable for suspended mounting	No
Suitable for ceiling mounting	No
Suitable for built-in mounting	No
Suitable for surface mounting	Yes
With light source	Yes
Suitable for number of lamps	1
Material housing	Aluminium
Colour housing	Black
Material cover	Plastic, opal
Nominal voltage	220-240 V
Control gear included	Yes
No dim function	Yes
Degree of protection (IP)	IP65
Impact strength	IK08
Protection class	I
Suitable for emergency lighting	No
With movement sensor	No
With light sensor	No
Max. system power	27 W
Colour of light	White
Colour temperature	3000-4000 K
Colour rendering index CRI	80-89
Height/depth	99 mm
Outer diameter	298 mm



Datasheet generated from <https://onetimepim.com> last updated Thursday, August 6, 2020 9:19:14 AM